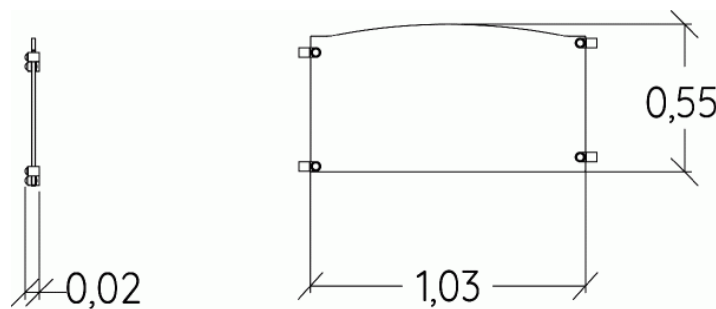
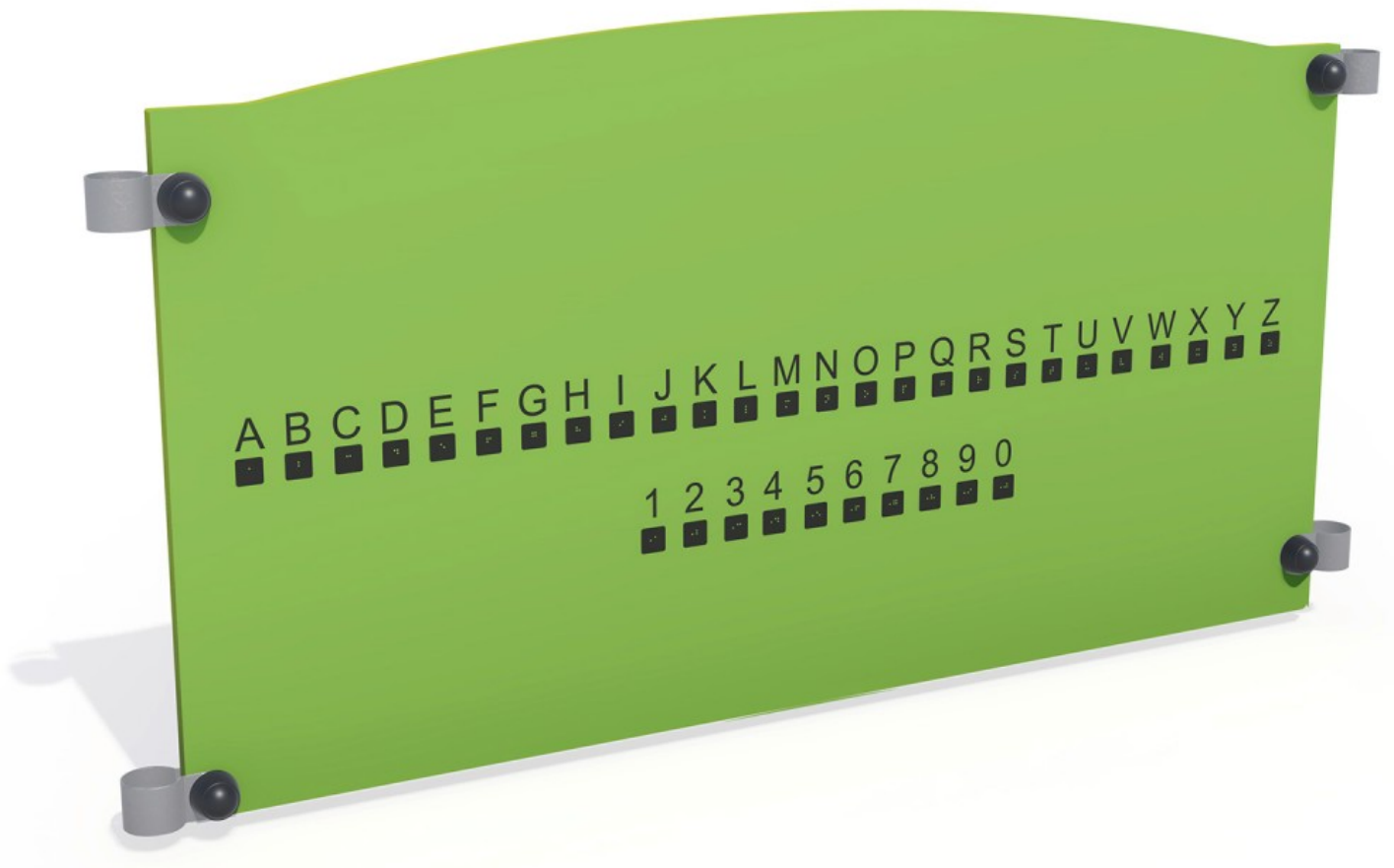


Motor inclusion  
Sensory inclusion  
Mental inclusion



**Play value :** **4**

- |           |           |           |                     |
|-----------|-----------|-----------|---------------------|
| role play | meeting   | thinking  | tactile stimulation |
|           |           |           |                     |
| <b>x1</b> | <b>x1</b> | <b>x1</b> | <b>x1</b>           |