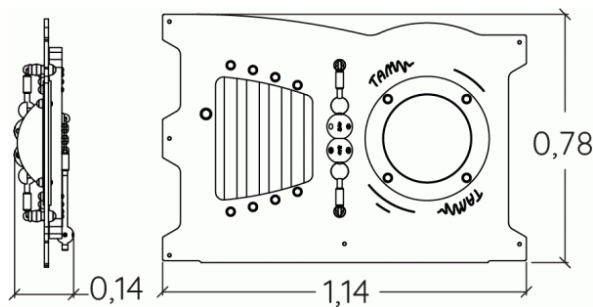
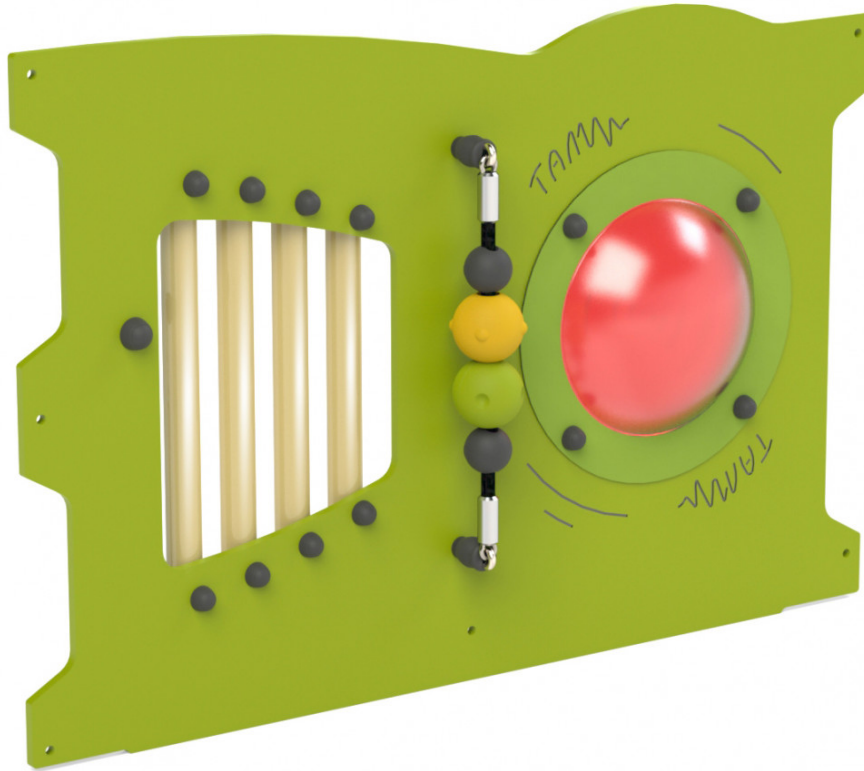


Motor inclusion  
Sensory inclusion  
Mental inclusion



Installed on G3422/G3425 posts



**Play value :** **5**

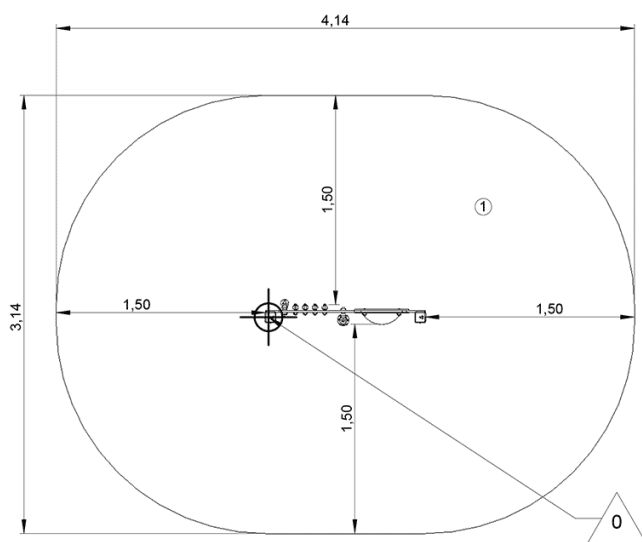
role play	meeting	handling	sound stimulation	tactile stimulation
<b>x1</b>	<b>x1</b>	<b>x1</b>	<b>x1</b>	<b>x1</b>

## Installation of equipment

**IMPORTANT:** It is essential to refer to the installation instructions for information on the size of the safety areas.

**————** Impact area (minimum normative surface)

**- - - -** Free space



1	0m	11m <sup>2</sup>



0



00h50



0m<sup>3</sup>



11m<sup>2</sup>



20kg



12kg

