



2+



1



0,6m



1 = 0,84m 2 = 0,3m 3 = 0,77m



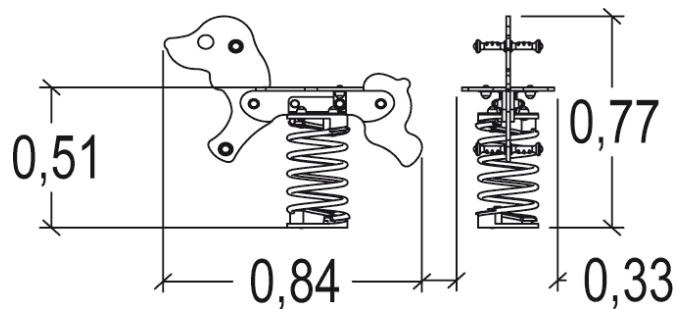
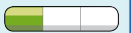
Motor disability



Sensorial disabilities



Learning disabilities



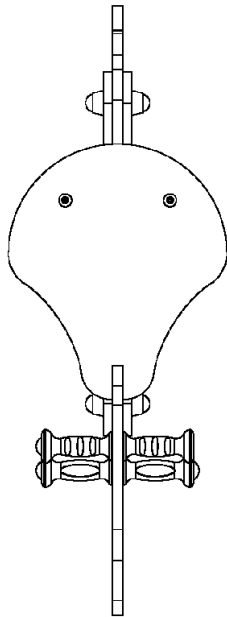
Play value : 2

swinging



balancing

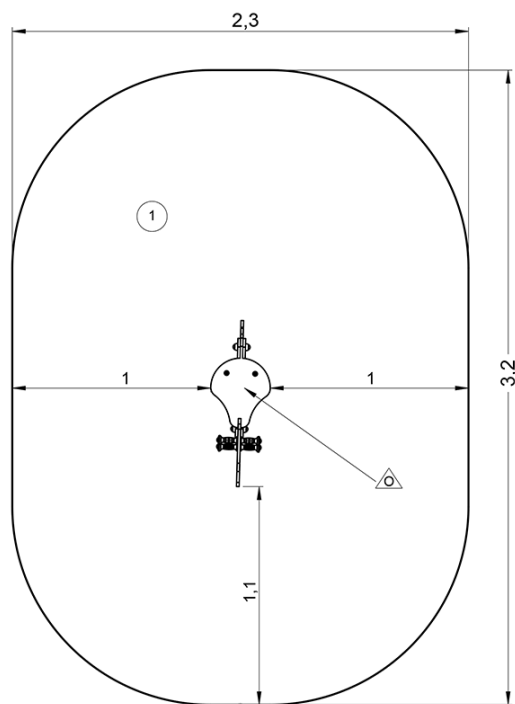






Installation of equipment

Impact area =

-  Impact area
-  Free space



| | | |
|---|---|---|
| |  |  |
| 1 | 0,6m | 6,6m ² |



2



00h00



0m³



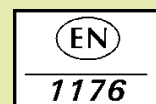
6.6m²



25kg



10kg



Proludic

0000-00-00