



2-6



15



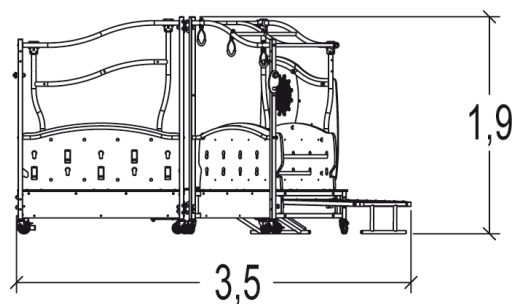
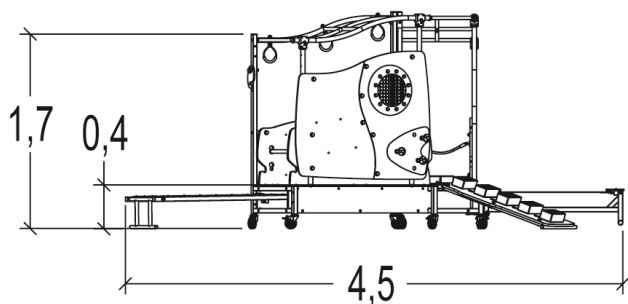
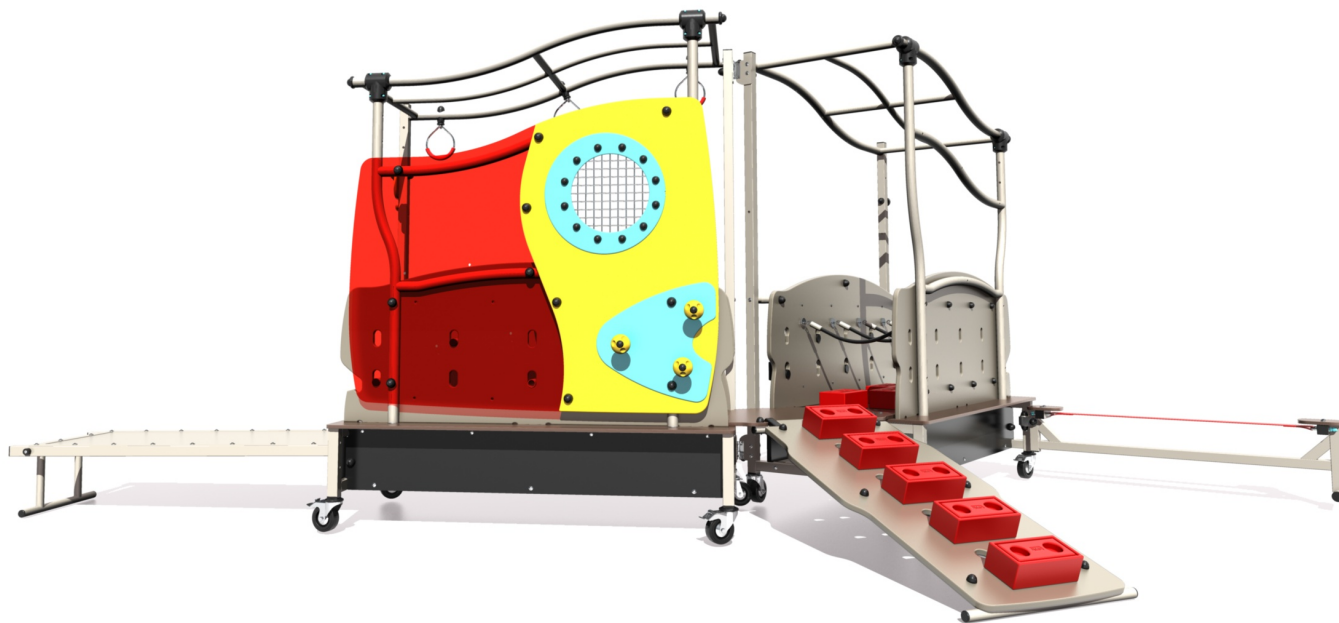
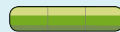
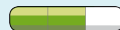
0,9m



1 = 3,58m 2 = 4,48m 3 = 1,95m



Motor disabilities
 Sensorial disabilities
 Learning disabilities



Play value : 8

climbing



x2

handling



x1

crawling



x2

balancing

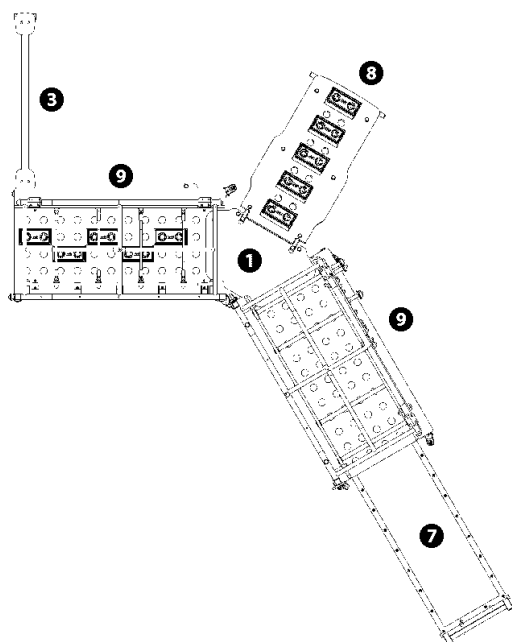


x2

meeting / role play



x1

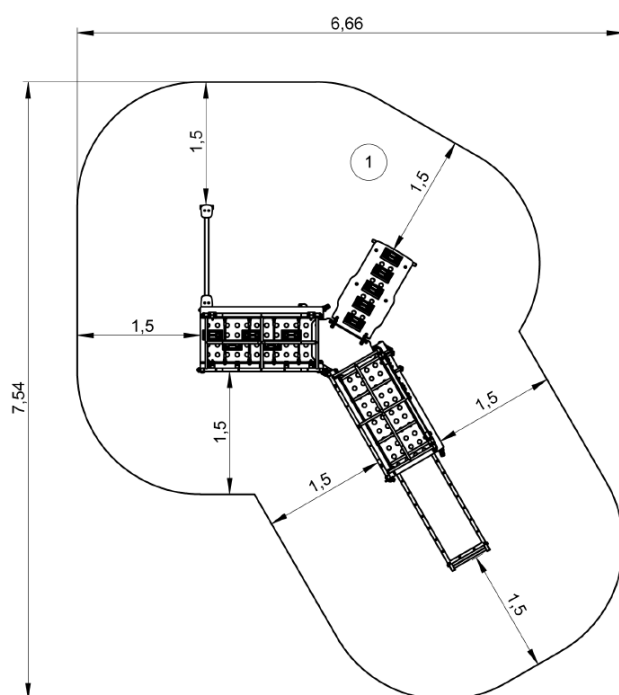


- ❶ Module de base Parcours Gymludic
- ❷ Rings
- ❸ Slackline
- ❹ Bars (batch of 5)
- ❺ Short ropes (batch of 4)
- ❻ Holds (batch of 5)
- ❼ Wobbly bridge
- ❽ Inclined ramp 'Bricks'
- ❾ Left translucent panel
- ❿ Bricks (batch of 10)
- ⓫ Rings (batch of 3)

Installation of equipment

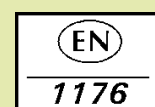
Impact area =

- Impact area
- Free space



1	1m	35m ²	

0	01h00	0m³	35m²	347kg	145kg



0000-00-00