



2+



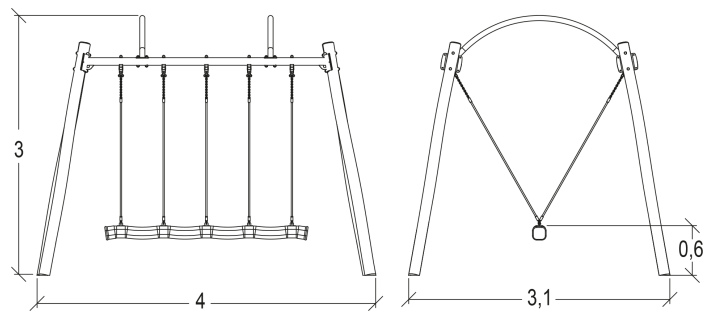
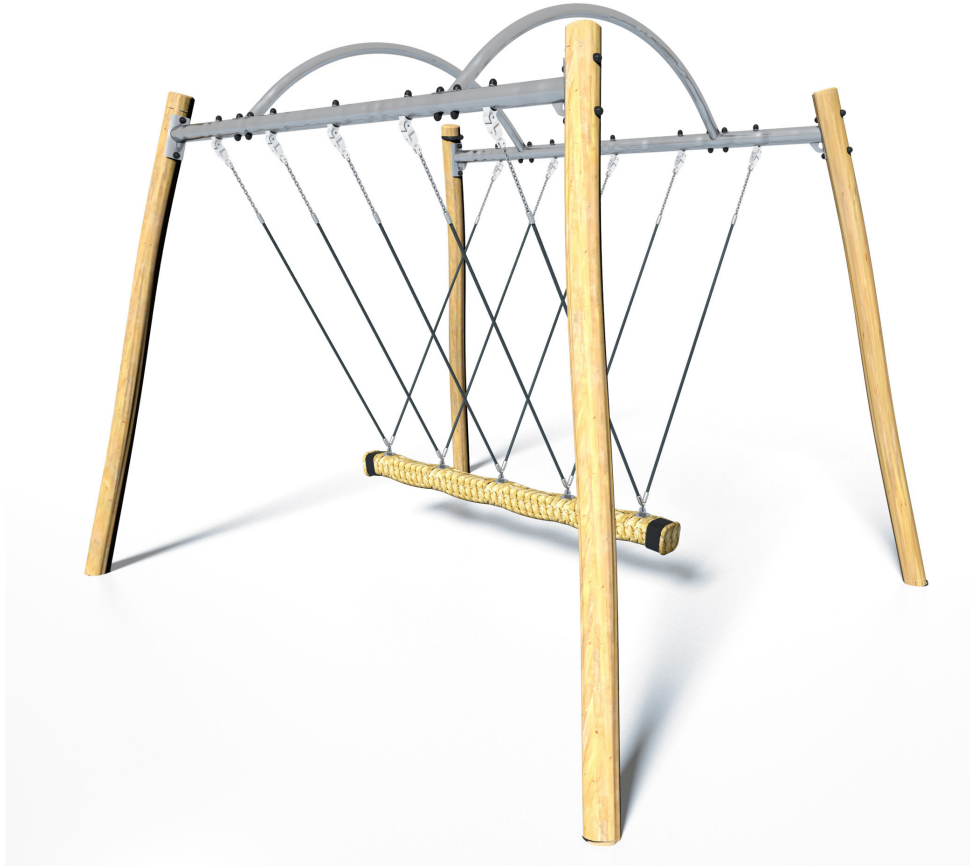
4



1,5m



1 = 3,06m 2 = 3,94m 3 = 3,04m



Play value : 3

swinging

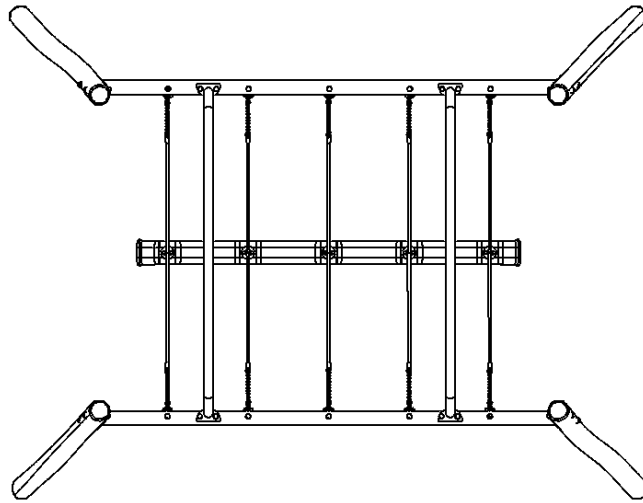


meeting



balancing





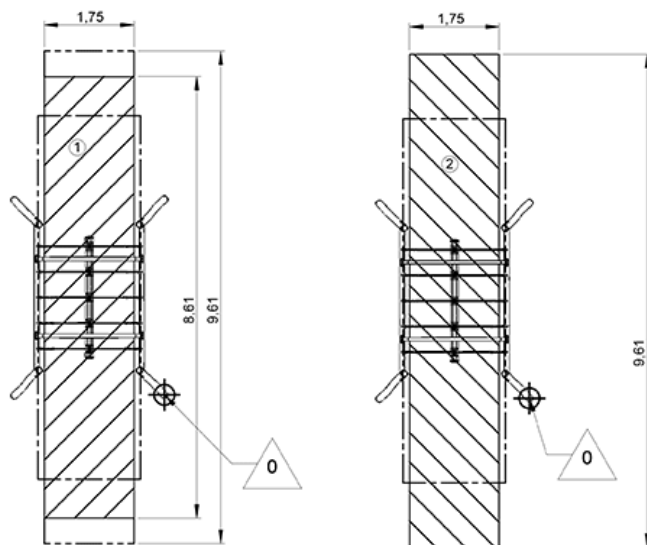
## Installation of equipment

Impact area =

- Impact area
- Free space

Zone d'Impact Sol souple  
Impact Area Wetpour  
Area de Impacto  
Fallraum bei synthetischem Fallschutz

Zone d'Impact Sol fluent  
Impact Area Loose particle material  
Arenero  
Fallraum bei losem Bodenmaterial



1	1,5m	15,5m <sup>2</sup>
2	1,5m	17m <sup>2</sup>

**2**

**03h00**

**0.3m<sup>3</sup>**

**15.5m<sup>2</sup>**

**217kg**

**42kg**

**1176**

**0000-00-00**