

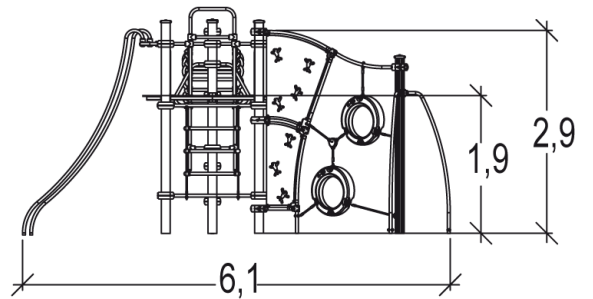
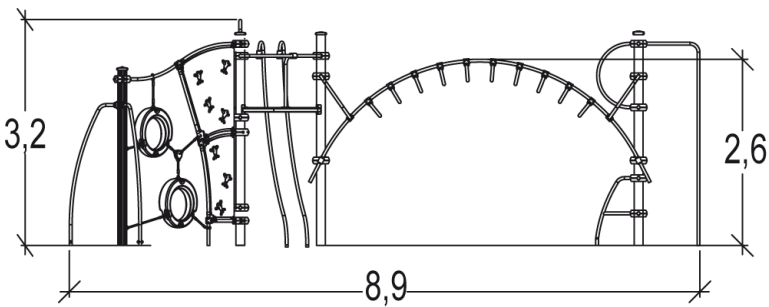
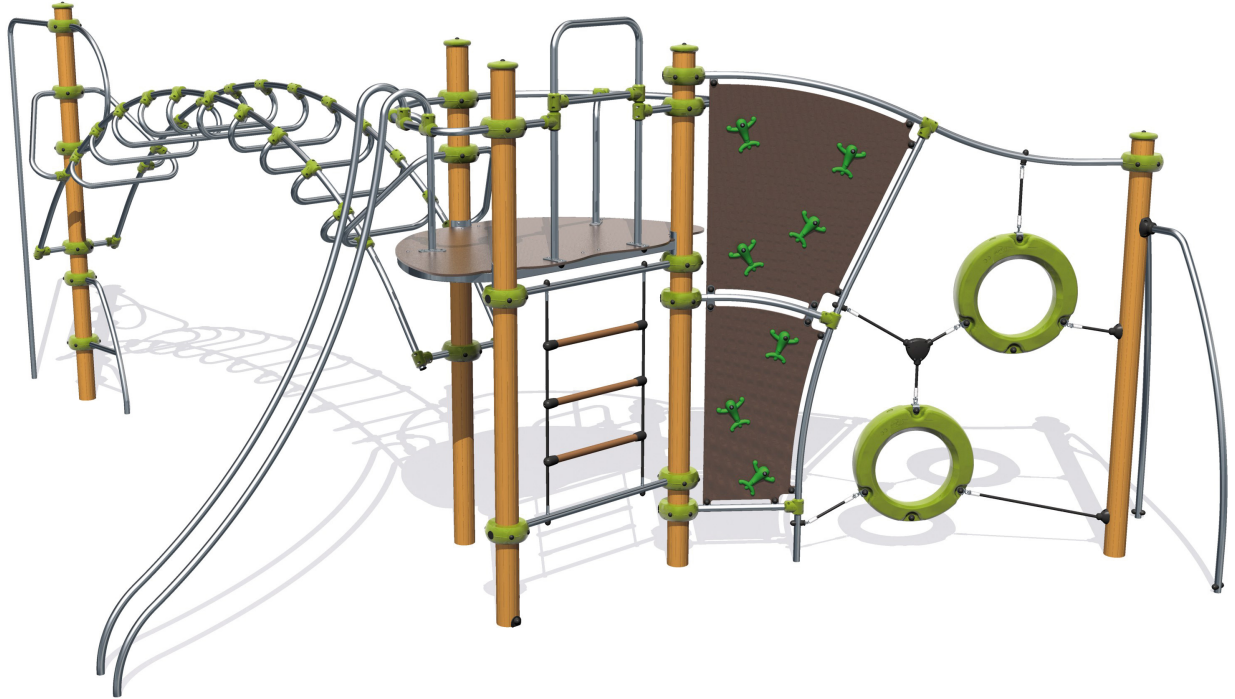


6+

18

2,9m

1 = 8,9m 2 = 6,1m 3 = 3,2m



Play value : 11

climbing



x1

sliding



x2

meeting



x1

hanging



x1

climbing

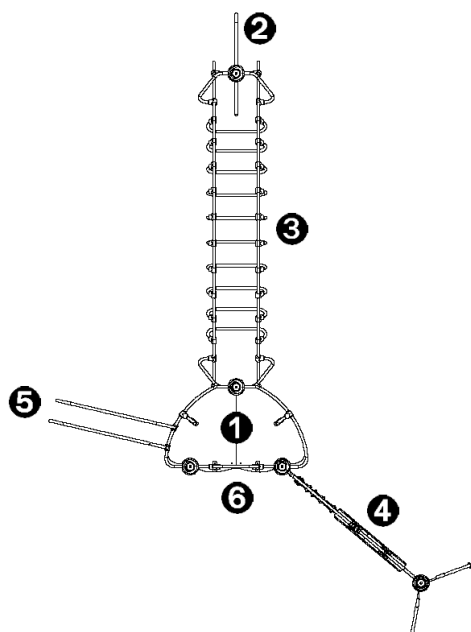


x4

getting across



x2

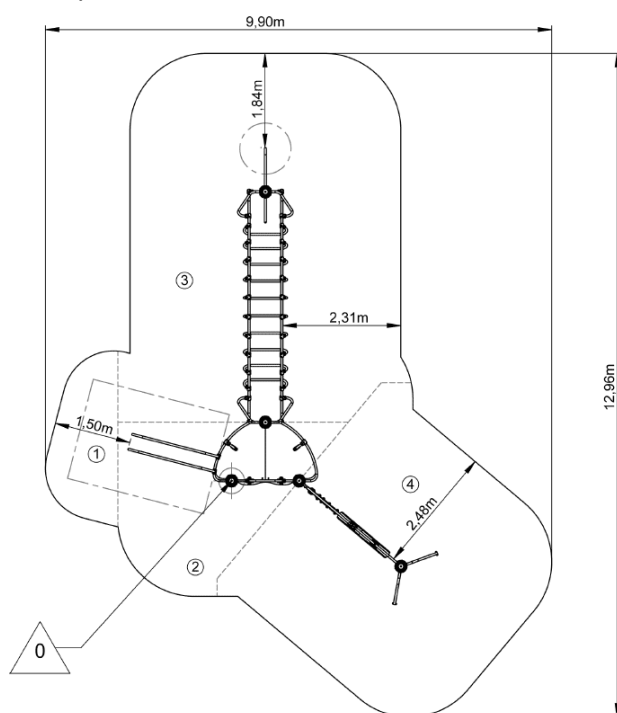


- ① Gamma tower
- ② Parrot mast
- ③ Great arch
- ④ Look-out
- ⑤ Speed slide
- ⑥ Delta Straight ladder

Installation of equipment

Impact area =

- Impact area
- Free space



1	0,6m	4m ²
2	1,95m	10m ²
3	2,4m	37m ²
4	2,87m	25m ²



2



16h00



0.5m³



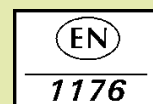
76m²



441kg



54kg



Proludic

0000-00-00